

Technical Information

Ceracore UTC30

Process pressure measurement



Pressure transducer with capacitive, ceramic pressure sensor

Application

Pressure transducer for use in the pressure measurement of liquid and gaseous media.

Your benefits

Dry capacitive ceramic sensor with ultrapure (99.9 %) Al_2O_3 ceramic

- High overload resistance
- Very good long-term stability
- High corrosion resistance
- Digital/analog signal output (SPI, UART, U)
- Small physical size
- Measuring ranges from 0 to 0.1 bar (0 to 1.5 psi) to 0 to 100 bar (0 to 1500 psi)
- Optional temperature output, switch output

Table of contents

About this document	3	Certificates and approvals	17
Document function	3	RoHS	17
Symbols used	3	Pressure Equipment Directive 2014/68/EU (PED)	17
Function and system design	4	Other standards and guidelines	17
Measuring principle	4	Calibration; unit	18
CARMEN	4	Service	18
Input	5	Test reports (on request)	18
Measured process variable	5	Ordering information	19
Measuring range	5	Disposal	19
Power supply	6	Accessories	19
Supply voltage	6	Contact addresses	19
Current consumption	6	Explanations and supplementary documentation ..	20
Sensor connection	6	Terms and abbreviations	20
Output	8	Turn down calculation	21
Output signal	8	Supplementary documentation	21
Signal range and signal on alarm of voltage output	8		
Behavior in the event of an error	8		
Dead time, time constant	8		
Dynamic behavior	9		
Damping	9		
Switch-on time and Warm-up period	9		
Performance characteristics	10		
Reference operating conditions	10		
Reference accuracy	10		
Total Error Band (TEB)	10		
Long-term stability	11		
Installation	11		
Influence of the installation position	11		
Process	12		
Process temperature range	12		
Process temperature range, seals	12		
Environment	12		
Ambient temperature range	12		
Storage temperature range	12		
Degree of protection	12		
Climate class	12		
Electromagnetic compatibility (EMC)	12		
Overvoltage protection	12		
Vibration resistance	12		
Mechanical construction	13		
Device height	13		
Materials	13		
Electronics housing	14		
Process connections	14		
Interfaces	16		
Assembly of process connection	16		



About this document

Document function




This document contains all the technical data for the device and provides an overview of the device versions and accessories that can be ordered.

Symbols used

Safety symbols

Symbol	Meaning
 WARNING	WARNING! This symbol alerts you to a dangerous situation. Failure to avoid this situation can result in serious or fatal injury.
 NOTICE	NOTICE! This symbol contains information on procedures and other facts which do not result in personal injury.

Symbols for certain types of information

Symbol	Meaning
	Tip Indicates additional information.
	Reference to documentation
	Reference to page

Symbols in graphics

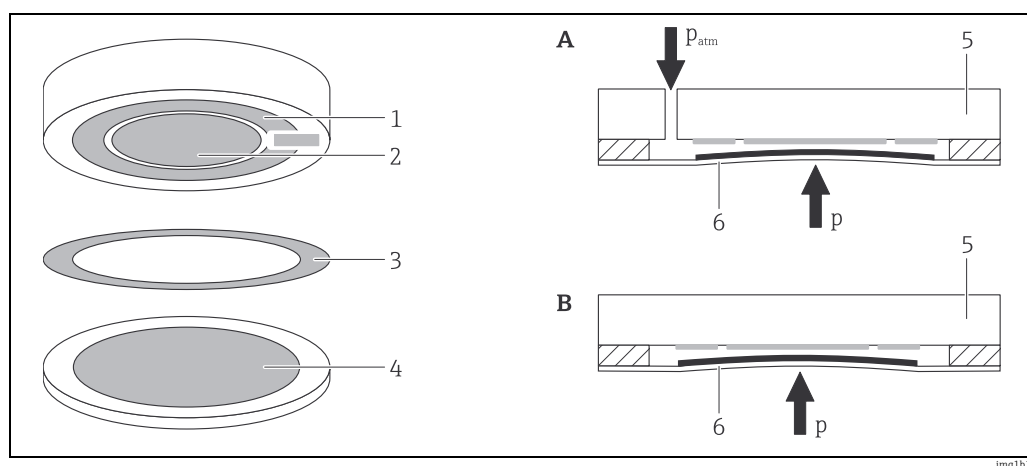
Symbol	Meaning
1, 2, 3, ...	Item numbers
A, B, C, ...	Views

Function and system design

Measuring principle

A capacitive ceramic sensor element is at the core of the UTC30. The basic material is (Al_2O_3), an ultra-pure (99,9%) aluminum oxide ceramic that is highly resistant to many aggressive gases and liquids. Two cylindrical ceramic components (process isolating diaphragm and meter body) are hermetically sealed together. In the case of absolute pressure sensors, the reference vacuum of $3,0 \times 10^{-6}$ mbar that is generated in the production process between the process isolating diaphragm and the meter body becomes permanent, thereby enabling precise pressure measurement relative to the vacuum. In the case of gauge pressure sensors, the back of the process isolating diaphragm is aerated, i.e. this sensor measures the gauge pressure relative to the atmospheric pressure.

In electrical terms, the sensor element represents a plate capacitor whose change in capacitance is a measure for the change in pressure. The capacitive measurement method satisfies the highest requirements with regard to resolution and reproducibility. Together with the hysteresis-free behavior of the Al_2O_3 material, it forms the basis for the excellent technical specifications of the pressure transducer. Furthermore, the sensor element is a dry measuring cell, i.e. there is no separating diaphragm or oil filling which could influence the measurement. Another clear advantage of the capacitive ceramic sensor is its high overload resistance.



A Gauge pressure cell
 B Absolute pressure cell
 1 Cr electrode
 2 Cp electrode
 3 Brazing ring preform
 4 Counterelectrode
 5 Meter body
 6 Process isolating diaphragm
 p_{atm} Atmospheric pressure

CARMEN

The CARMEN ASIC is used in sensor applications to measure physical variables (e.g. pressure) with external capacitive or resistive sensors in industrial environments.

Each type of sensor has its individual properties. CARMEN must compensate for these physical properties individually. To do so, CARMEN performs the following steps:

- Measurement of the external sensor (capacitance difference, voltage difference, temperature)
- Compensation of the sensor offset
- Gain adjustment
- Linearization of the sensor characteristics
- Compensation of temperature effects
- Output of the corrected and compensated measured values
- Additional functions (damping, filtering, etc.)

For the standard settings of the sensor, → [20](#).

The functionality and communication are explained in the S&C CARMEN Manual.

Input

Measured process variable

- Gauge pressure or absolute pressure
- Temperature

Measuring range

Sensor [bar (psi)]	Maximum sensor measuring range		Lowest calibratable span ¹⁾ [bar (psi)]	MWP [bar (psi)]	OPL [bar (psi)]	Vacuum resistance [bar _{abs} (psi _{abs})]
	lower (LRL) [bar (psi)]	upper (URL) [bar (psi)]				
Sensors for gauge pressure measurement						
0.1 (1.5)	-0.1 (-1.5)	+0.1 (+1.5)	0.04 (0.6)	2.7 (40.5)	4 (60)	0.7 (10.5)
0.2 (3)	-0.2 (-3)	+0.2 (+3)	0.08 (1.2)	3.3 (49.5)	5 (75)	0
0.4 (6)	-0.4 (-6)	+0.4 (+6)	0.16 (2.4)	4 (60)	6 (90)	0
1 (15)	-1 (-15)	+1 (+15)	0.4 (6)	6.7 (100.5)	10 (150)	0
2 (30)	-1 (-15)	+2 (+30)	0.8 (12)	12 (180)	18 (270)	0
4 (60)	-1 (-15)	+4 (+60)	1.6 (24)	16.7 (250.5)	25 (375)	0
10 (150)	-1 (-15)	+10 (+150)	4 (60)	26.7 (400.5)	40 (600)	0
20 (300)	-1 (-15)	+20 (+300)	8 (120)	26.7 (400.5)	40 (600)	0
40 (600)	-1 (-15)	+40 (+600)	16 (240)	40 (600)	60 (900)	0
100 (1500) ¹⁾	-1 (-15)	+100 (+1500)	40 (600)	100 (1500)	150 (2250)	0
Sensors for absolute pressure measurement						
0.1 (1.5) ¹⁾	0	+0.1 (+1.5)	0.04 (0.6)	2.7 (40.5)	4 (60)	0
0.2 (3) ¹⁾	0	+0.2 (+3)	0.08 (1.2)	3.3 (49.5)	5 (75)	0
0.4 (6) ¹⁾	0	+0.4 (+6)	0.16 (2.4)	4 (60)	6 (90)	0
1 (15)	0	+1 (+15)	0.4 (6)	6.7 (100.5)	10 (150)	0
2 (30)	0	+2 (+30)	0.8 (12)	12 (180)	18 (270)	0
4 (60)	0	+4 (+60)	1.6 (24)	16.7 (250.5)	25 (375)	0
10 (150)	0	+10 (+150)	4 (60)	26.7 (400.5)	40 (600)	0
20 (300)	0	+20 (+300)	8 (120)	26.7 (400.5)	40 (600)	0
40 (600)	0	+40 (+600)	16 (240)	40 (600)	60 (900)	0
100 (1500) ¹⁾	0	+100 (+1500)	40 (600)	100 (1500)	150 (2250)	0

1) on request

▲ WARNING

The maximum pressure for the measuring device depends on the lowest-rated element with regard to pressure.

- ▶ The measuring device must be operated only within the specified limits!

Power supply

Supply voltage

Type	Value
Digital output	2.9 ... 5.5 V DC
Analog output	4.9 ... 5.1 V DC ¹⁾

1) other values on request

Current consumption

Connection of the sensor	Current consumption
Female header strip	< 1.6 mA
Male pin header strip	< 2.0 mA

Sensor connection

NOTICE

Incorrect polarity can damage the ASIC!

- ▶ Ensure polarity is correct.

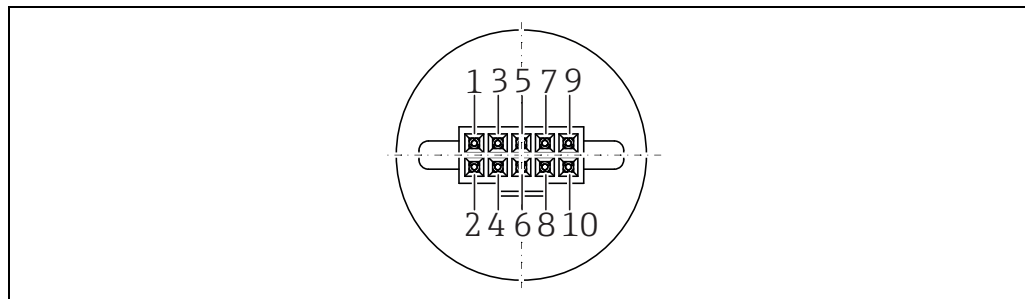
NOTICE

Incorrect analog measured value due to cable break from GND!

- ▶ Prevent cable break from GND.

Female header strip 2x5 pins (1.27 mm (0.05 in) spacing)

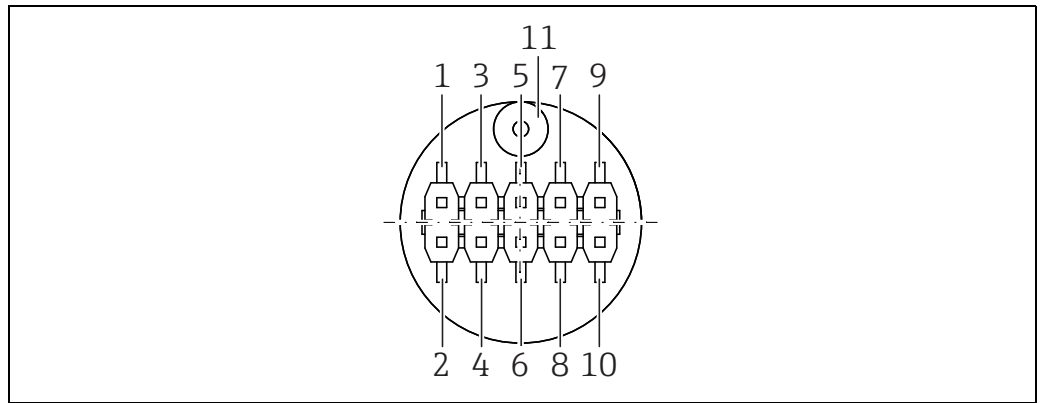
- Socket type: SAMTEC SFML-105-02-L-D
- maximum insertion force: 40 N



img#1_

PIN	Designation	Explanation	Application		
			Digital		Analog
			UART	SPI	
1	GND	Negative supply voltage	X	X	X
2	RESET_N	Reset (low active)	optional	optional	optional
3	VDD	Positive supply voltage	X	X	X
4	DAC	Analog output	optional	optional	optional
5	SW_OUT	Switch output (open drain)	optional	optional	optional
6	SPI_SEL	Communication mode selection (UART "GND" or SPI "VDD")	'force to "GND"	force to "VDD"	–
7	SCK	SPI clock, must be connected to GND if SPI is used	–	X	–
8	CS_N	Chip select (low active)	optional	optional	–
9	TxD/SO_RDY	Digital communication output	X	X	–
10	RxD/SI	Digital communication input, must be connected to GND if not used	X	X	'force to "GND"

Male pin header strip 2x5 pins (2,54 mm (0,1 in) spacing)



img5ca

PIN	Designation	Explanation	Application		
			Digital		Analog
			UART	SPI	
1	SPI_SEL	Communication mode selection (UART "GND" or SPI "VDD")	'force to "GND"	force to "VDD"	-
2	SCK	SPI clock, must be connected to GND if SPI is not used	-	X	-
3	VDD	Positive supply voltage	X	X	X
4	TxD/SO_RDY	Digital communication output	X	X	X
5	GND	Negative supply voltage	X	X	X
6	RxD/SI	Digital communication input, must be connected to GND if not used	X	X	'force to "GND"
7	DAC	Analog output	optional	optional	X
8	SW_OUT	Switch output (open drain)	optional	optional	optional
9	CS_N	Chip select (low active)	optional	optional	-
10	RESET_N	Reset (low active)	optional	optional	optional
11	Reference air tube	-	-	-	-

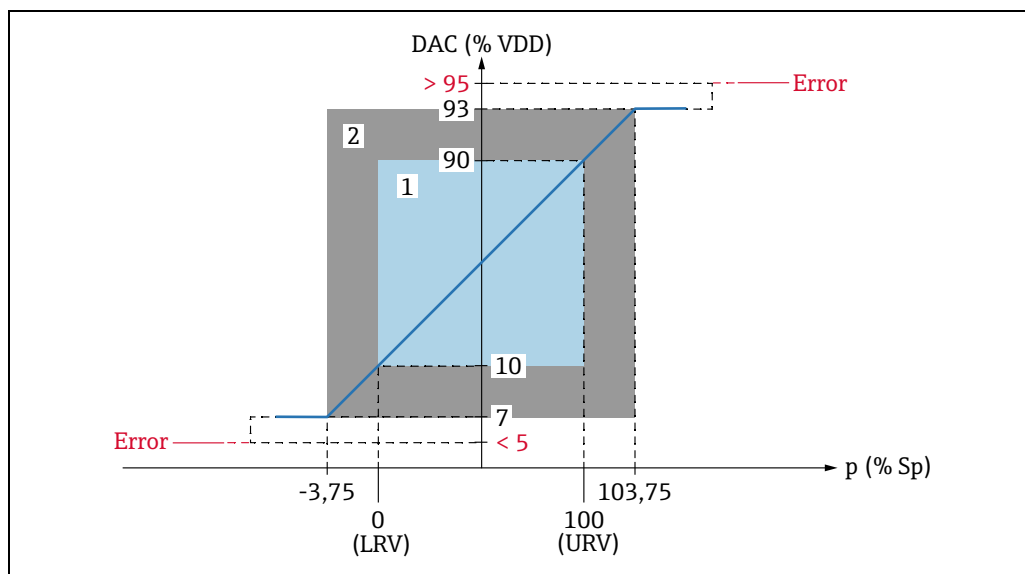
Output

Output signal

Type	Output
Voltage output (pressure)	10 to 90 % VDD (ratiometric, VDD = 5.0 V DC)
	10 to 90 % VDDA (absolut, VDDA = 2.65 V DC)
Digital output (pressure & temperature)	SPI
	UART
Switch output (pressure) ¹⁾	Switch (via CARMEN)

1) On request

Signal range and signal on alarm of voltage output



1 Calibrated measuring range
 2 Extended measuring range
 DAC Digital-to-analog converter

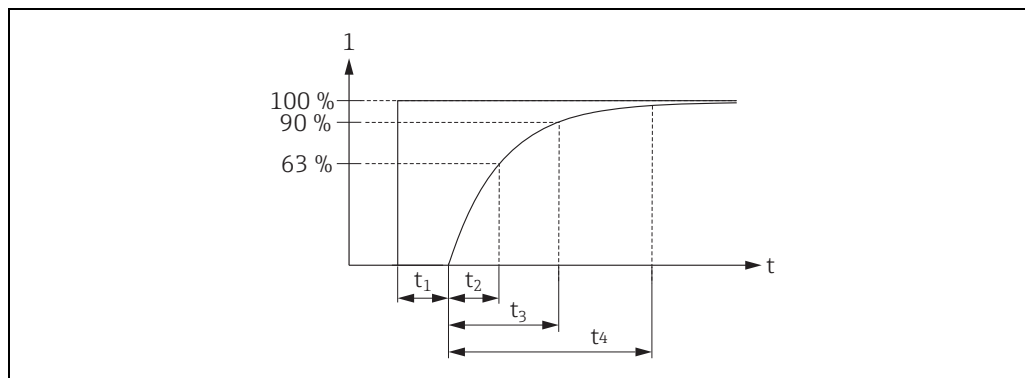
The signal range and the signal on alarm are based on NAMUR NE 43. The signal on alarm can be configured.

Behavior in the event of an error

See the S&C CARMEN Manual

Dead time, time constant

Presentation of the dead time and the time constant:



1 % of the measured value

Dynamic behavior

Output	Sampling rate [ms]	Dead time (t ₁) [ms]	Time constant T63 (t ₂) [ms]	Time constant T90 (t ₃) [ms]	Time constant T99 (t ₄) [ms]
Digital	20	40	74	88	99
	5	10	18,5	22	25
	1,25 ¹⁾	3,75	6	7	8
Analog	20	29	63	75	88
	5	8	15,5	19	22
	1,25	2	4,5	6	8,5

1) The maximum sampling rate that can be configured for measured value recording is 1.25 ms, but the maximum speed of the digital output is limited to 2.5 ms.

Damping

Customizable setting: 0 to 40 s

Switch-on time and Warm-up period

The switch-on time is the time that elapses from when the supply voltage is switched on to when the first digital value or initial analog value is available.

The warm-up period is the time that elapses from when the supply voltage is switched on to the first digital measured value or analog value within the specified reference accuracy (e.g. 0.1 % span).

Output	Sampling rate [ms]	Switch-on time [ms]	Warm-up period [ms]
Digital	20	38.75	98.75
	5	23.75	38.75
	1.25	20	23.75
Analog	20	10	50
	5	10	35
	1.25	10	30

Performance characteristics

Reference operating conditions

- As per IEC 60770
- Ambient temperature T_A = constant, in range: +23 to +27 °C (+73 to +81 °F)
- Relative humidity ϕ = constant, in range: 5 to 80 % RH.
- Ambient pressure p_A = constant, in range: 860 to 1 060 mbar (12.47 to 15.37 psi)
- Position of measuring cell = constant, in range: process isolating diaphragm pointing downwards (see also the "Influence of installation position" section → 11)
- Process isolating diaphragm material: Al_2O_3 (aluminum oxide ceramic FDA, ultrapure 99.9 %)
- Analog output supply voltage: 4.9 to 5.1 V DC
- Digital output supply voltage: 2.9 to 5.5 V DC

Reference accuracy

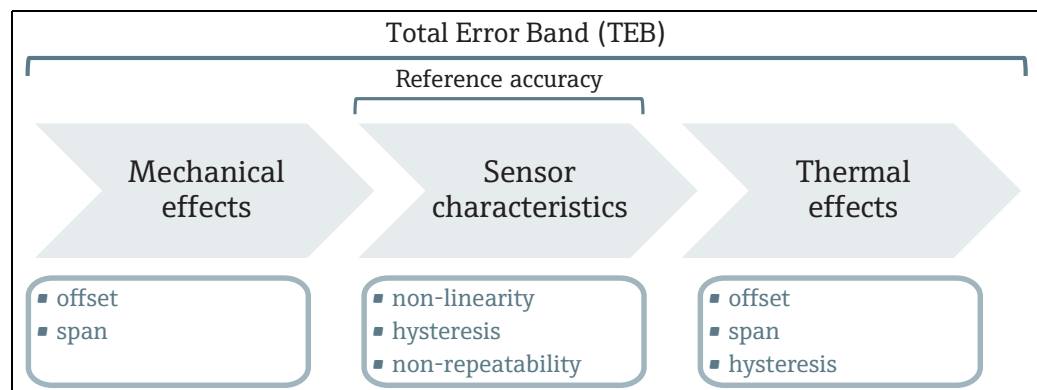
The reference accuracy includes the non-linearity [DIN EN 61298-2 3.9], the non-repeatability [DIN EN 61298-2 3.10] and the pressure hysteresis [DIN EN 61298-2 3.11] in accordance with the limit point method as per [DIN EN 61298-2].

Sensor	Reference accuracy in % of calibrated span
Standard	$\pm 0,2 \times TD$ for TD ¹⁾ 1:1 to TD 2,5:1
Platinum	$\pm 0,1 \times TD$ for TD 1:1 to TD 2,5:1

1) TD = Turn Down, → 21.

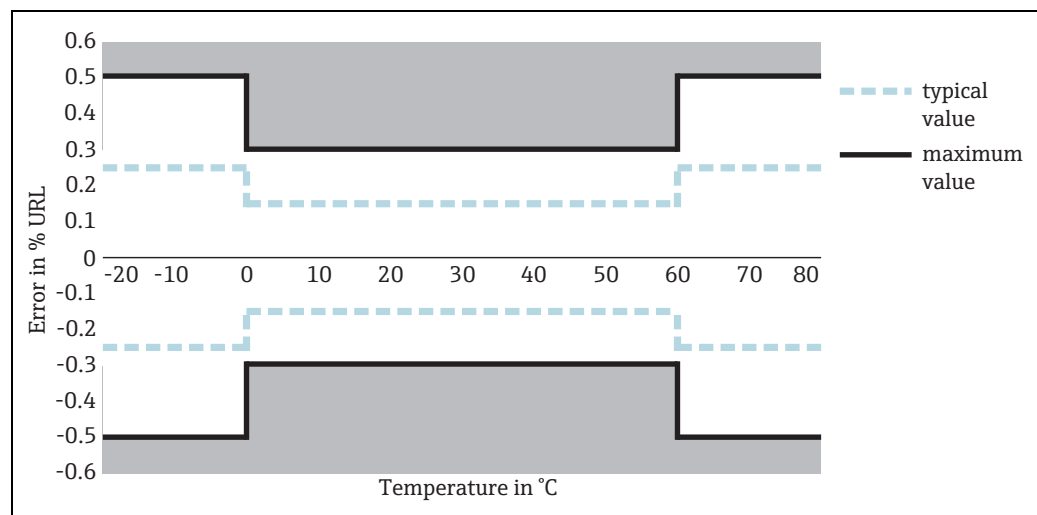
Total Error Band (TEB)

The Total Error Band includes the following influencing factors:



Total_Error_Band_Einflussfaktoren_EN

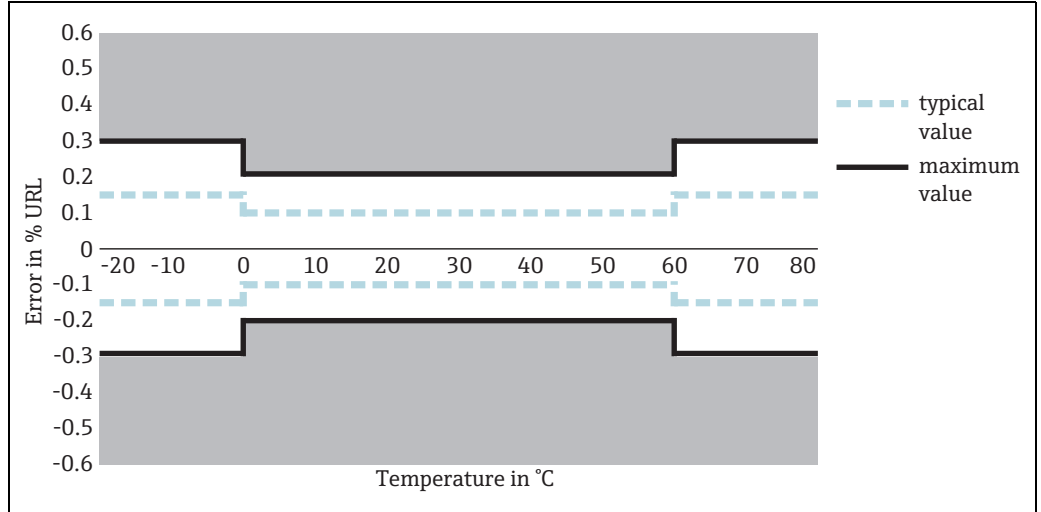
Error band (0.1 ... 0.4 bar, -20 to 80 °C)



Total_Error_Band_below_1_bar_EN

Temperature range	Typ. value	Max. value
0 to +60 °C (+32 to +140 °F)	± 0.15 % URL	± 0.30 % URL
-20 to 0 °C (-4 to +32 °F) +60 to +80 °C (+140 to +176 °F)	± 0.25 % URL	± 0.50 % URL

Error band (1 to 40 bar, -20 to 80 °C)

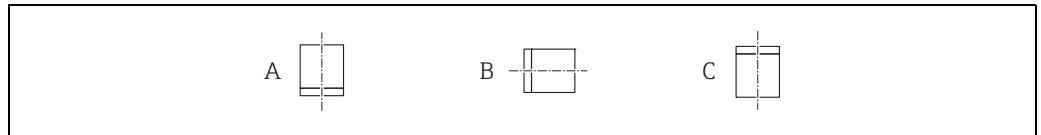


Temperature range	Typ. value	Max. value
0 to +60 °C (+32 to +140 °F)	± 0.10 % URL	± 0.20 % URL
-20 to 0 °C (-4 to +32 °F) +60 to +80 °C (+140 to +176 °F)	± 0.15 % URL	± 0.30 % URL

Long-term stability ≤ 0,1 %/year related to the upper range limit (URL).

Installation

Influence of the installation position Any installation position is possible but it may cause a zero point shift.



	Process isolating diaphragm pointing downwards (A)	Process isolating diaphragm axis is horizontal (B)	Process isolating diaphragm pointing upwards (C)
<1 bar (15 psi)	Calibration position, no effect	Up to +0.1 mbar (0.0015 psi)	Up to +0.2 mbar (0.0030 psi)
≥1 bar (15 psi)	Calibration position, no effect	<0.1 mbar (0.0015 psi)	Up to +0.1 mbar (0.0015 psi)

Process

Process temperature range -20 to +80 °C (-4 to 176 °F)
Extended temperature range -40 to +125 °C (-40 to +257 °F) (on request)

Process temperature range, seals

Seal	Notes	Process temperature range
FKM	-	-20 to +80 °C (-4 to +176 °F)
FKM	FDA21 CFR177.2600 USP Class VI 3A; BAM	0 to +80 °C (+32 to +176 °F)
EPDM	FDA21 CFR177.2600 USP Class VI (up to +70 °C (+158 °F)) 3A DVGW (W270, W534), WRAS, ACS NSF61	-20 to +80 °C (-4 to +176 °F)
NBR	-	-20 to +80 °C (-4 to +176 °F)

Environment

Ambient temperature range -20 to +80 °C (-4 to 176 °F)
Extended temperature range -40 to +125 °C (-40 to +257 °F) (on request)

Storage temperature range -40 to +125 °C (-40 to +257 °F)

Degree of protection

System	Degree of protection
Open	IP00

Climate class

System	Climate class	Note
Open	Class 3K3	Air temperature: 5 to 40 °C (41 to 104 °F), relative humidity: 5 to 85 % satisfied according to 60721-3-3 (condensation not permitted)

Electromagnetic compatibility (EMC)

No specifications (open system)

Overvoltage protection

6 V DC (maximum voltage for CARMEN ASIC)

Vibration resistance

Test standard	Vibration resistance
GL VI-7-2 Part 7: Guidelines for the Performance of Type Approvals Chapter 2: Test Requirements for Electrical/Electronic Equipment and Systems	Guaranteed for 5 to 25 Hz: ±1.6 mm (0.06 in); 25 to 100 Hz: 4 g in all 3 axes

Mechanical construction

Device height

The total height is calculated from

- the height of the housing and
- the height of the individual process connection.

The individual heights of the components can be found in the following sections. To calculate the total height, simply add up the individual heights of the components. You can use the following table for this:

Section	Page	Height	Example
Electronics housing	→ 14	B	<p>The diagram illustrates the vertical assembly of the device. It shows three distinct components stacked vertically. The top component is the electronics housing, with a height dimension labeled 'B'. The middle component consists of process connections, with a height dimension labeled 'AA / AB'. The bottom component is a seal, with height dimensions labeled 'BA', 'CA / CB', and 'DA / DB / DC'. A vertical dashed line indicates the central axis of the assembly.</p>
Process connections	→ 14	AA / AB BA CA / CB DA / DB / DC	
Device height			

Materials

Materials in contact with process

Component part	Material
Process connections	316L
Process isolating diaphragm	Al ₂ O ₃ aluminum-oxide ceramic FDA, ultra-pure 99.9 % ¹⁾
Seal	<ul style="list-style-type: none"> FKM FKM (inkl. FDA approval) EPDM NBR

- 1) The US Food & Drug Administration (FDA) has no objections to the use of ceramics made of aluminum oxide as a surface material in contact with foodstuffs. This declaration is based on the FDA certificates of our ceramic suppliers.

TSE free (Transmissible Spongiform Encephalopathy)

The following applies to all device components in contact with the process:

- They do not contain any materials derived from animals.
- No additives or operating materials derived from animals are used in production or processing.

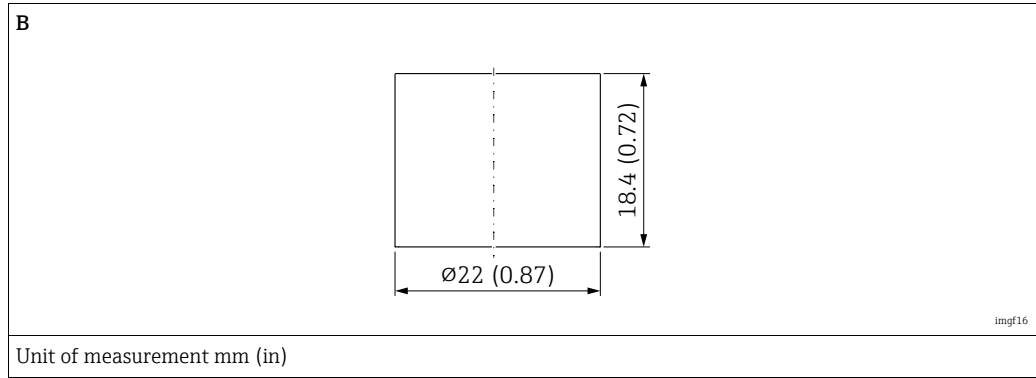
Process connections

Endress+Hauser supplies a threaded connection made of stainless steel in accordance with AISI 316L (DIN/ EN material number 1.4404 or 1.4435). With regard to their stability-temperature property, the materials 1.4404 and 1.4435 are grouped together under 13E0 in EN 1092-1: 2001 Tab. 18. The chemical composition of the two materials can be identical.

Materials not in contact with process

Component part	Material
Electronics housing	316L

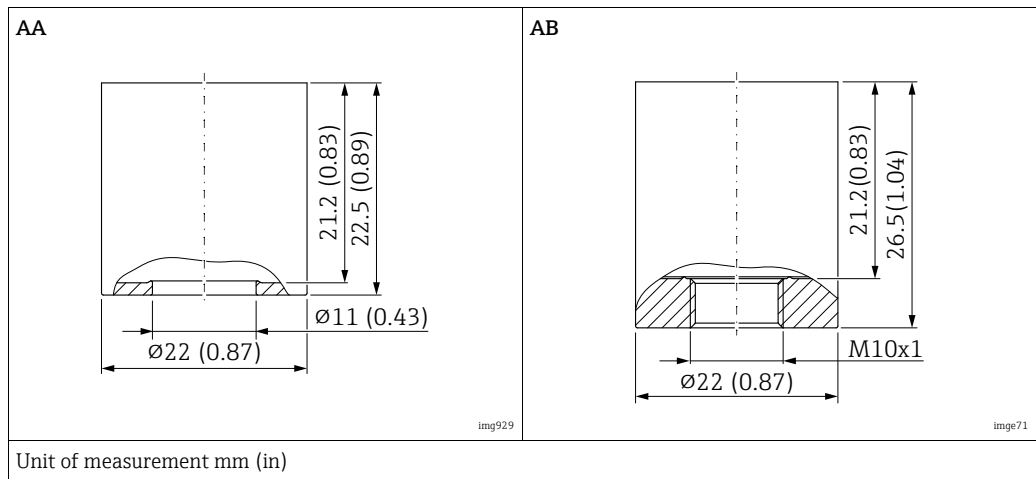
Electronics housing



Position	Designation	Material
B	Electronics housing (optional ¹⁾)	316L

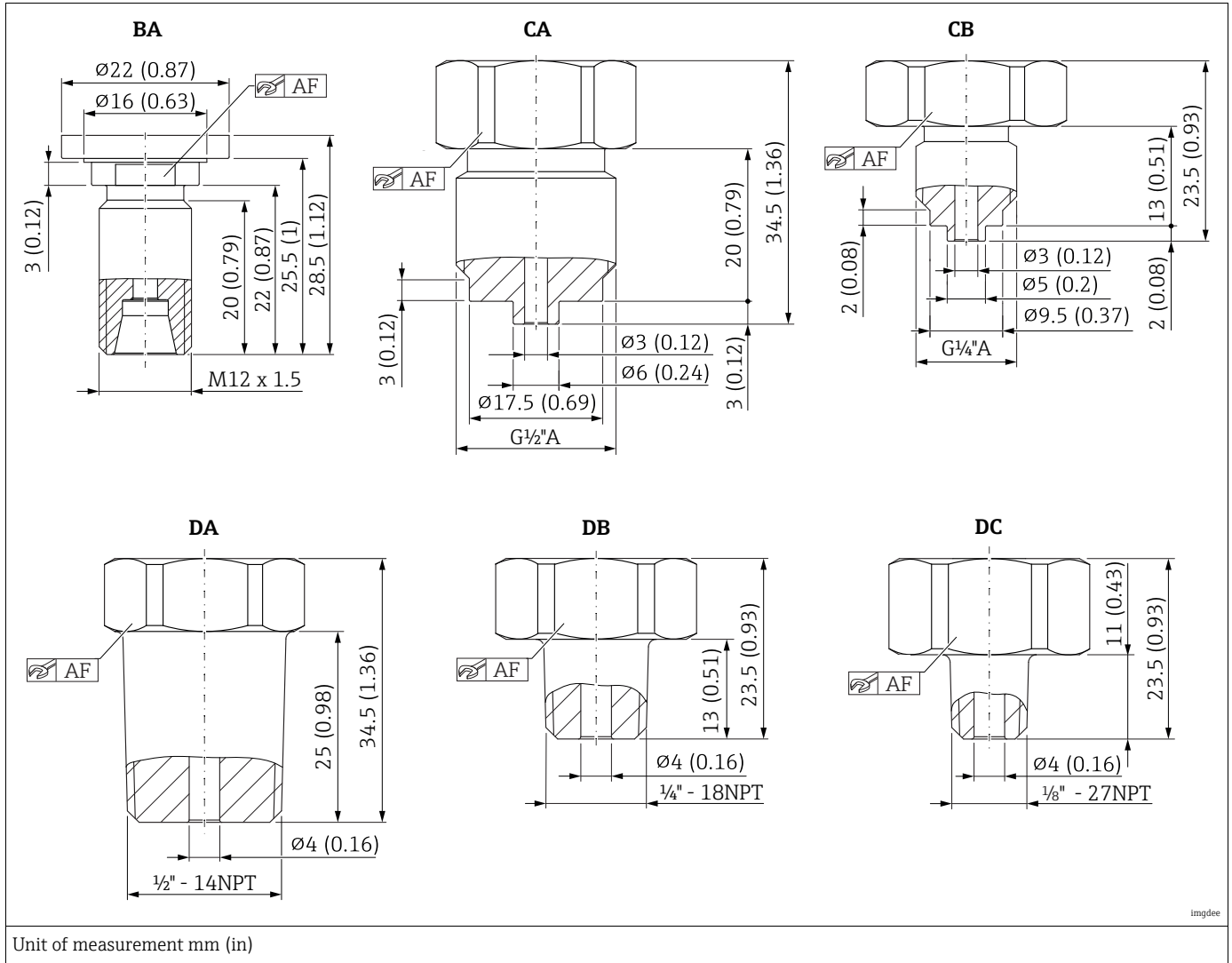
1) The electronics housing is mounted if the male pin header strip 2x5 pins is selected.

Process connections



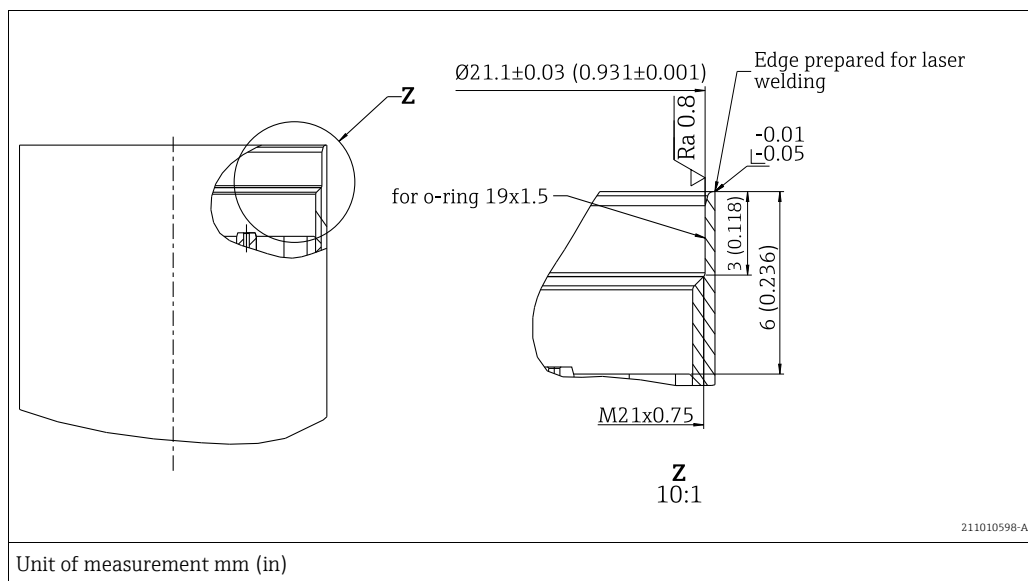
Position	Designation	Material
AA	Capsule $\varnothing 22 \times 22.5$ mm, flush-mounted	316L
AB ¹⁾	Capsule $\varnothing 22 \times 26.5$ mm, M10 x 1	316L

1) The "AB" capsule is used if one of the process connections on the following page is used.



Position	Designation	AF	Material
BA	24° cutting ring fitting M12x1.5; 6L	14	316L
CA	Thread ISO 228 G1/2", EN837	24	316L
CB	Thread ISO 228 G1/4", EN837	24	316L
DA	ASME 1/2" MNPT, bore 4mm	24	316L
DB	ASME 1/4" MNPT, bore 4mm	24	316L
DC	ASME 1/8" MNPT, bore 4mm	24	316L

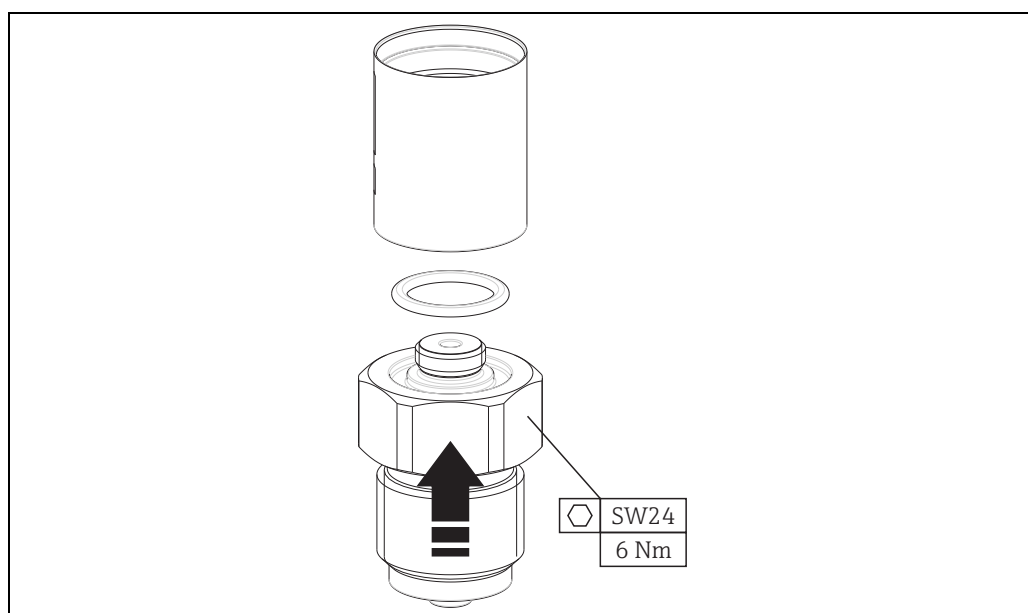
Interfaces



Assembly of process connection

Please observe the following points when assembling the enclosed process connections:

- Before assembly, make sure that the seal and all sealing surfaces are as clean as possible. The sealing surfaces must not be damaged.
- Screw the process connection to the sensor assembly, observe a torque of 6 Nm.



UTC30_Montage_Prozessanschluss

Certificates and approvals

RoHS

The measuring system complies with the substance restrictions of the Restriction on Hazardous Substances Directive 2011/65/EU (RoHS 2).

Pressure Equipment Directive 2014/68/EU (PED)**Pressure equipment with allowable pressure \leq 200 bar (2 900 psi)**

Pressure equipment (with a maximum allowable pressure $PS \leq$ 200 bar (2 900 psi)) can be classified as pressure accessories in accordance with Pressure Equipment Directive 2014/68/EU. If the maximum allowable pressure is \leq 200 bar (2 900 psi) and the pressurized volume of the pressure equipment is \leq 0,1 l, the pressure equipment is subject to the Pressure Equipment Directive (cf. Pressure Equipment Directive 2014/68/EU, Article 4, point 3). The Pressure Equipment Directive only requires that the pressure equipment shall be designed and manufactured in accordance with the "sound engineering practice of a Member State".

Reasons:

- Pressure equipment directive (PED) 2014/68/EU Article 4, point 3
- Pressure equipment directive 2014/68/EU, Commission's Working Group "Pressure", Guideline A-05 + A-06

Note:

A partial examination shall be performed for pressure instruments that are part of safety equipment for the protection of a pipe or vessel from exceeding allowable limits (safety accessory in accordance with Pressure Equipment Directive 2014/68/EU, Article 2, point 4).

Other standards and guidelines

The applicable European guidelines and standards can be found in the relevant EU Declarations of Conformity. The following were also applied:

DIN EN 60770 (IEC 60770):

Transmitters for use in industrial process control systems Part 1: Methods for performance evaluation. Methods for evaluating the performance of transmitters for control and regulation in industrial process control systems.

DIN 16086:

Electrical pressure measuring instruments, pressure sensors, pressure transmitters, pressure measuring instruments, concepts, specifications on data sheets.

Procedure for writing specifications in data sheets for electrical pressure measuring instruments, pressure sensors and pressure transmitters.

EN 61010-1 (IEC 61010-1):

Protection Measures for Electrical Equipment for Measurement, Control, Regulation and Laboratory Equipment

EN 60529:

Degrees of protection provided by enclosures (IP code)

Calibration; unit

Designation
Nominal range; mbar
Nominal range; bar
Nominal range; psi
Nominal range; inH2O
Nominal range; Pa
Nominal range; kPa
Nominal range; MPa
Nominal range; mmH2O
Nominal range; mH2O
Nominal range; ftH2O
Nominal range; mmHg

Service

Designation
3-point calibration certificate (on request)
5-point calibration certificate (on request)

Test reports (on request)

3.1 Material documentation, wetted metal parts, EN10204-3.1 inspection certificate

Ordering information

Detailed ordering information is available from the following sources:
In the Product Configurator on the Endress+Hauser website:
www.sensors-components.endress.com



Product Configurator - the tool for individual product configuration

- Product-specific configuration data
- Depending on the device: direct input of information specific to measuring point, such as measuring range
- Automatic verification of exclusion criteria

Disposal



If required by the Directive 2012/19/EU on waste electrical and electronic equipment (WEEE), our products are marked with the depicted symbol in order to minimize the disposal of WEEE as unsorted municipal waste. Such products may not be disposed of as unsorted municipal waste and can be returned to Endress+Hauser for disposal at conditions stipulated in our General Terms and Conditions or as individually agreed.

Accessories

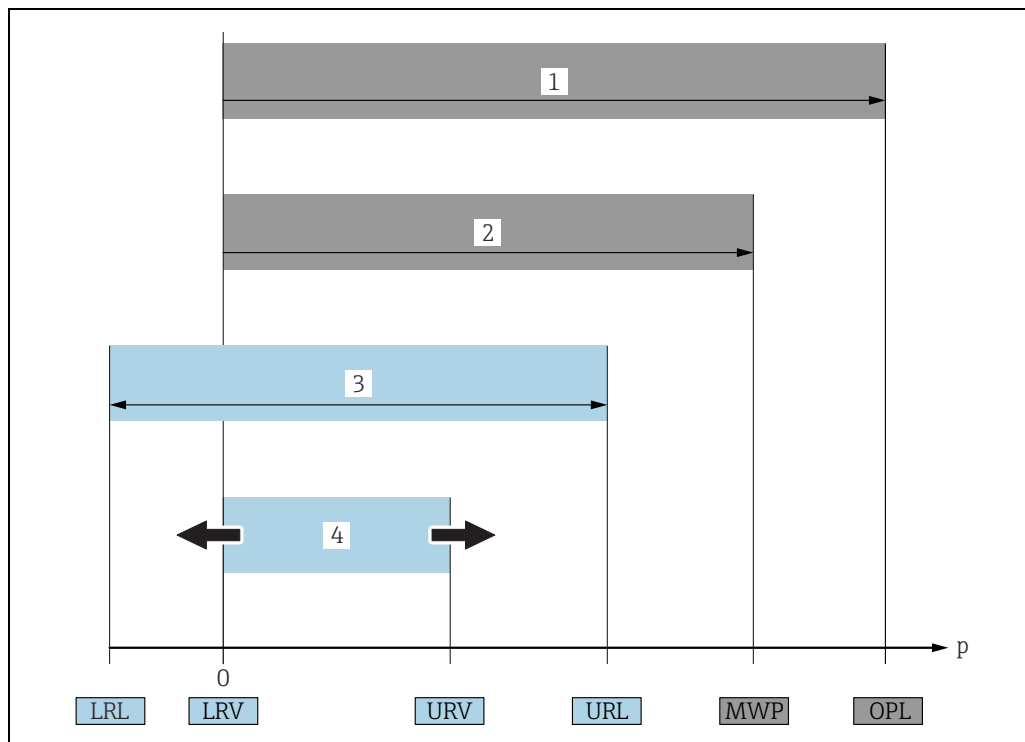
Designation	Type
Process connection	24° cutting ring fitting M12x1.5; 6L
	Thread ISO 228 G1/2", EN837
	Thread ISO 228 G1/4", EN837
	ASME 1/2" MNPT, bore 4 mm
	ASME 1/4" MNPT, bore 4 mm
	ASME 1/8" MNPT, bore 4 mm
O-ring	FKM
	FKM, FDA
	EPDM
	NBR
Cable	Adapter cable for female header strip 2x5 pins (1,27 mm spacing) Mating connector for SAMTEC

Contact addresses

Internet: www.sensors-components.endress.com
E-mail: sensors-components@endress.com

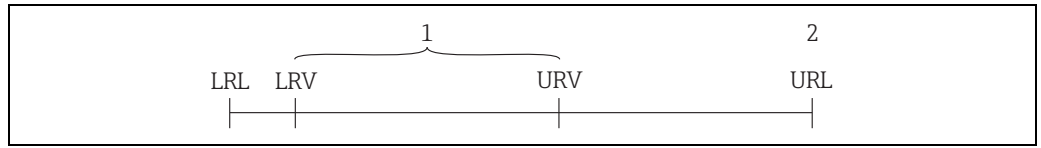
Explanations and supplementary documentation

Terms and abbreviations



Item	Term/abbreviation	Explanation
1	OPL	The OPL (over pressure limit = sensor overload limit) for the measuring device depends on the lowest-rated element, with regard to pressure, of the selected components, i.e. the process connection has to be taken into consideration in addition to the measuring cell. Also observe pressure-temperature dependency. The test pressure corresponds to the overload limit of the sensor (OPL = 1,5 x MWP) and may only be applied for a limited period of time so that no permanent damage occurs.
2	MWP	The MWP (maximum working pressure) for the sensors depends on the lowest-rated element, with regard to pressure, of the selected components, i.e. the process connection has to be taken into consideration in addition to the measuring cell. Also observe pressure-temperature dependency. The Pressure Equipment Directive (2014/68/EU) uses the abbreviation "PS", which corresponds to the MWP of the measuring instrument. The MWP refers to a reference temperature of +20 °C (+68 °F) and may be applied at the device for an unlimited period.
3	Maximum sensor measuring range	Span between LRL and URL This sensor measuring range is equivalent to the maximum calibratable/adjustable span.
4	Calibrated/adjusted span	Span between LRV and URV Factory setting: 0 to URL Other calibrated spans can be ordered as customized spans.
-	p	Pressure
-	LRL	Lower range limit
-	URL	Upper range limit
-	LRV	Lower range value
-	URV	Upper range value
-	TD	Turn Down Example - see the following section.
-	CARMEN	Capacitive And Resistive Measurement ENdress+Hauser → 4
-	Sampling rate	The sampling rate is the integration time for recording the measured value and also the update interval for the output of measured values. Exception: If a sampling rate of 1.25 ms is configured, the integration time is 1.25 ms but the update interval 2.5 ms.

Turn down calculation



- 1 Calibrated/adjusted span
- 2 Upper range limit

Example

- Sensor: 10 bar (150 psi)
- Upper range limit (URL) = 10 bar (150 psi)
- Lower range limit (LRL) = -1 bar (-15 psi)
- Calibrated/adjusted span: 0 to 5 bar (0 to 75 psi)
- Lower range value (LRV) = 0 bar (0 psi)
- Upper range value (URV) = 5 bar (75 psi)

Turn down (TD):

$$TD = \frac{URL}{|URV - LRV|}$$

$$TD = \frac{10 \text{ bar (150 psi)}}{|5 \text{ bar (75 psi)} - 0 \text{ bar (0 psi)}|} = 2$$

In this example, the TD is 2:1.
This span is based on the zero point.



71436427